

## MC55 High S Beacon + Acoustic 24V RM



<b>Part No.:</b>	<b>240.620.01</b>
<b>Series:</b>	<b>MC55</b>



### MECHANICAL DATA

Height	111 mm
Diameter	55 mm
Materials	PC
Dome colour	White
Housing colour	Black
Protection category	IP65 IP69K
Connection	M12 socket 5-pole
Type of fixing	Base mounting Tube mounting
Working temperature minimum	-20°C
Working temperature maximum	+50°C
Weight with packaging	123 g
Product weight	94 g
IK-Code (IEC 62262)	IK06

### ELECTRICAL DATA

Operating voltage	24V
Operating voltage type	DC
Operating voltage tolerance	+/- 10%
Rated operational voltage	24 VDC
Rated operational current	75 mA
Continuous output current	200mA
Rated inrush current	660 mA
Protection class	Protection class 3
Pollution degree	3 In the connection area: 2
Overtoltage category	I
insulation voltage	Ui = 50V / Uimp = 330V

### OPTICAL DATA

Light source	LED
Light colour	MC 7 colours
Optical signal image	multi function
Blink frequency	Configurable
Service life optical	50,000 h minimum

### ACOUSTIC DATA

Volume (max) at 1m distance	85
Acoustic signal image	Multi-tone

**!** For additional installation and mounting information, refer to the appropriate user guide at [www.werma.com](http://www.werma.com). This printed copy is for information only and is subject to alteration.

## MC55 High S Beacon + Acoustic 24V RM

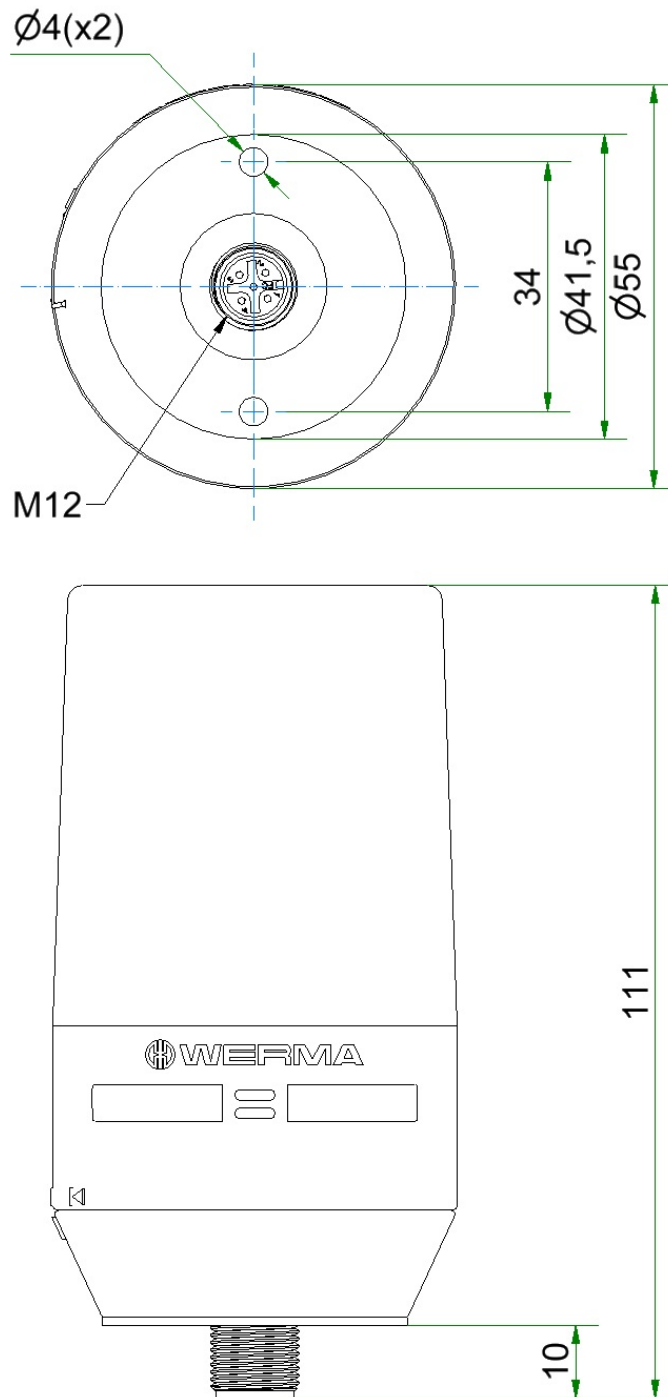
Number of tones	10 tone
Volume adjustable	Software controlled
Acoustic service life	5,000 h minimum

APPROVAL DATA	
Conforms with CE	Yes
Conforms with RoHS directive	Yes
WEEE	Yes
Conforms with RED directive	No
Conforms with ATEX-directive	No
Conforms with CCC-Ex	No
Conforms with CCC	No
Conforms with UL	cULus
UL Type Rating	Type 4X
Conforms with FCC	No
Conforms with ISED	No
EAC certificate available	No
Conforms with UKCA (Importer)	Yes (WERMA (UK) Ltd.)
Conforms with CMIM	No
Conforms with AS-I	No
ICAO Certification	No
Conforms with DNV	No
Conforms with RoHS CN	10 years
Conforms with VdS	No
MTTFd-value [years]	341

**!** For additional installation and mounting information, refer to the appropriate user guide at [www.werma.com](http://www.werma.com). This printed copy is for information only and is subject to alteration.

# MC55 High S Beacon + Acoustic 24V RM

**DRAWING**



! For additional installation and mounting information, refer to the appropriate user guide at [www.werma.com](http://www.werma.com). This printed copy is for information only and is subject to alteration.